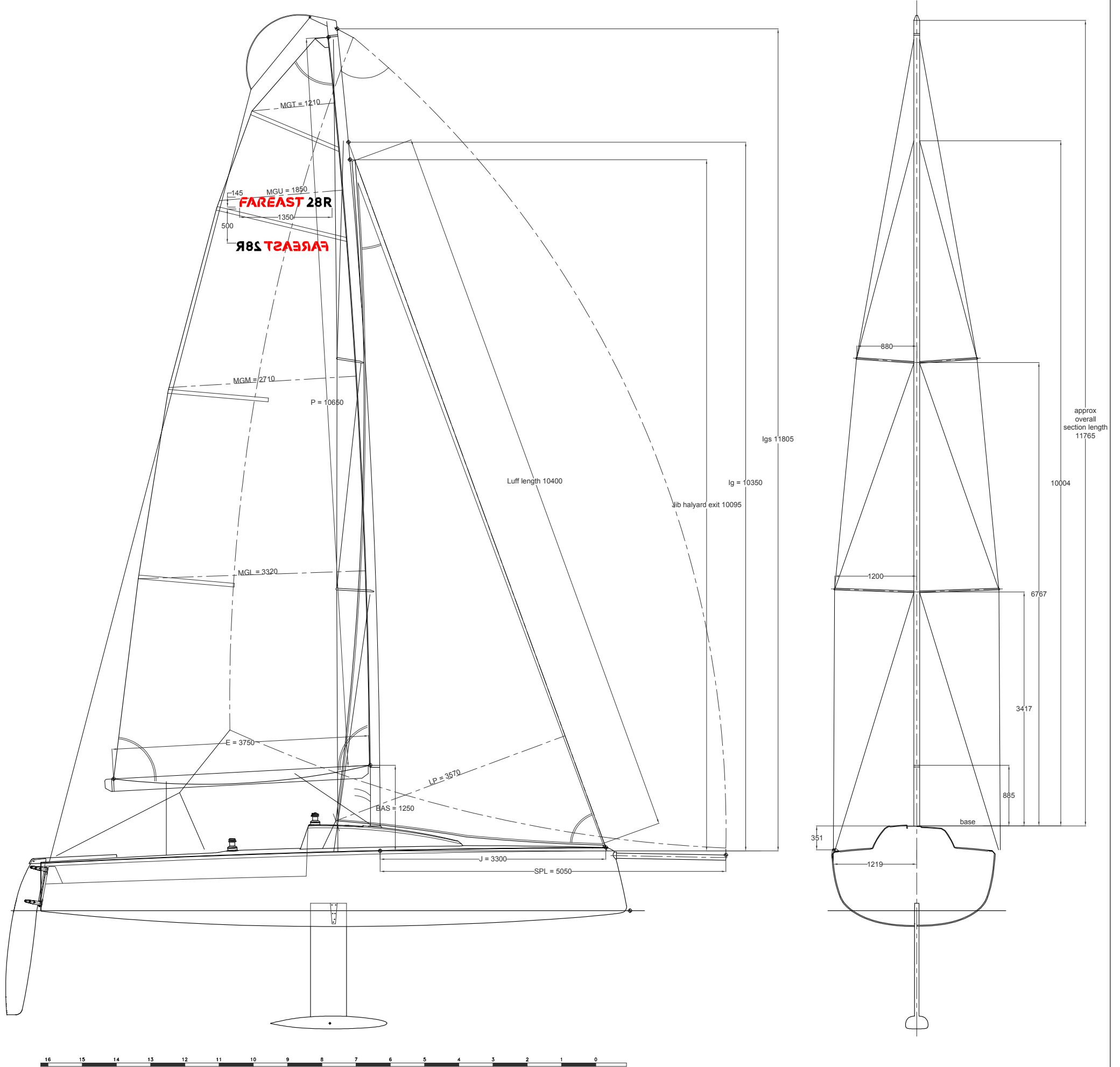


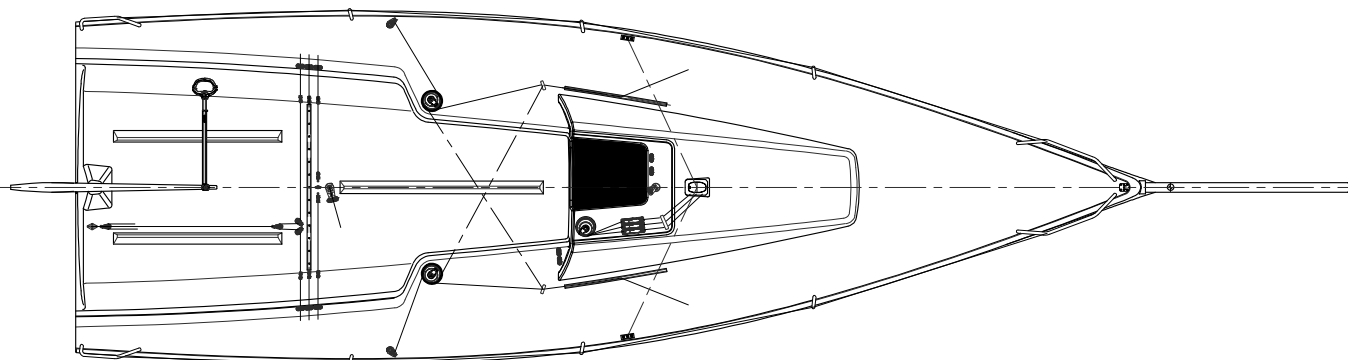
**PRINCIPAL CHARACTERISTICS**


LENGTH OVERALL	9.07 mtr
LENGTH W.L.	8.53 mtr
BEAM	2.75 mtr
DRAFT MAX.	1.73 mtr
DISPLACEMENT	1300 kgs
SAIL AREA Total Upwind	44.80 m <sup>2</sup>
SAIL AREA Total Downwind	115.0 m <sup>2</sup>
I	10.35 mtr
J	3.30 mtr
P	10.65 mtr
E	3.75 mtr



**One Design Class rule rigplan**

See for further sail measurements Farest 28R Class Rules section G-H March '15



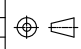


**SIMONIS VOOGD**  
YACHT DESIGN

**FAREAST 28R**

For Shanghai Far East FRP Boat Co. Ltd.

**SAIL AND RIGGING PLAN (One Design version)**

Drawn by: M.V. Date: APR '14 Drawing no: 228-310 Filename: 228-310.DWG	Scale: 1 : 30 Format: A1 Units: mm	
---	--	---

No part of this drawing may be reproduced or copied without prior permission by SIMONIS VOOGD. Copyright remains at all times property of Simonis Voogd Design.

All services are performed subject to the general conditions of the "NBAU" (Netherlands Society of Naval Architects) as set out in the "Rules & Tariffs 1995" published by the "NBAU" and registered with the "Aankondigingswet" of Haarlem in the Netherlands dated 14th of December 1995.

**Address:**  
Simonis Voogd Design BV  
De Trompet 17D  
1601 MK Enkhuizen  
Netherlands

32 Tanglewood Crescent,  
Sunset Links  
7441 Cape Town  
South Africa

**Phone:**  
+31-(0)228-321900  
+27-(0)21-5550709

**Fax:**  
+31-(0)228-321906  
+27-(0)21-5550715

**Email:**  
info@simonis-voogd.com  
www.simonis-voogd.com